

# TI2500 Series Fixed-Mount Thermal Imager

## ENCLOSURE WITH INTEGRATED THERMAL IMAGING OPTICS

### Product Features

- Long Wave Infrared (LWIR), Uncooled, Vanadium Oxide Microbolometer
- 320 x 240 Resolution, 38 Microns Pixel Size
- Sensitivity Below 85 mK at f/1.4
- User Definable/Programmable Camera Settings
- Interface Board for 24 VAC/24 VDC Input Power
- NTSC/PAL Analog Video Output
- 2X Digital Zoom
- 2 Lens Options (35 mm and 50 mm)
- Designed for Maximum Rain Protection
- Compact, Lightweight Aluminum Construction



TI2535

- Meets NEMA Type 4 and IP66 Standards
- Complete with Sun Shroud and Heater

The **TI2500 Series** offers a completely integrated advanced thermal imaging device in a Pelco outdoor enclosure. At the core of the TI2500 is an uncooled, vanadium oxide 38 microns microbolometer, LWIR camera. It delivers 320 x 240 thermal video and supports 2X digital zoom.

The **TI2500 Series** provides outstanding sensitivity below 85 mK at f/1.4. It is capable of multiple display formats, including white hot, black hot, and color signatures. The **TI2500 Series** is available with 2 different lens configurations (35 mm and 50 mm focal lengths) for effective deployment in a wide range of applications.

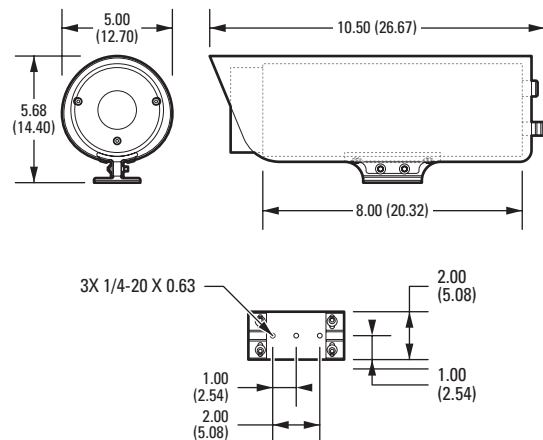
The powder-coated, aluminum constructed enclosure makes the **TI2500 Series** ideal for either indoor or outdoor applications. With an absolute operating temperature range of -25° to 131°F (-32° to 55°C), this indoor/outdoor system can be used in many environments.

A sun shroud and built-in thermostatically controlled heater are standard features on the **TI2500 Series**.

The **TI2500 Series** produces video imagery within 5 seconds of turning on the unit within the operating temperature range.

The **TI2500 Series** has an input voltage of 24 VAC or 24 VDC.

**TI2500 Series** cameras are factory focused and locked at infinity; however, they can be manually adjusted by a qualified technician.



NOTE: VALUES IN PARENTHESES ARE CENTIMETERS; ALL OTHERS ARE INCHES.



# TECHNICAL SPECIFICATIONS

## MODELS

Model Number	Format	Focal Length
TI2535	NTSC	35 mm
TI2535-X	PAL	35 mm
TI2550	NTSC	50 mm
TI2550-X	PAL	50 mm
TI2535-1	NTSC, 9 Hz	35 mm
TI2535-X-1	PAL, 9 Hz	35 mm
TI2550-1	NTSC, 9 Hz	50 mm
TI2550-X-1	PAL, 9 Hz	50 mm

## MECHANICAL

Latching	2 captivated hex screws
Face Plate	2 hex screws
Cable Entry	2 adjustable 0.5-inch NPT liquid-tight glands

## ELECTRICAL

Connections	16–24 gauge screw-terminal jack on built-in interface board (bipolar)
Input Power	4 W, 6.2 VA nominal
Input Voltage	24 VAC 24 VDC
Power Consumption	24 VAC 260/350 mA 24 VDC 170/290 mA
Heater	Thermostatically controlled heater

## GENERAL

Construction	Aluminum
Finish	Gray polyester powder coat
Environment	Indoor/outdoor
Operating Temperature	-25° to 131°F (-32° to 55°C)
Storage Temperature	-58° to 185°F (-50° to 85°C)
Weight	
Unit	4.7 lb (2.1 kg)
Shipping	11 lb (5 kg)

## CERTIFICATIONS/RATINGS

- CE, Class A
- FCC, Class A
- UL/cUL Listed
- C-Tick
- Meets NEMA Type 4 and IP66 standards

## THERMAL CAMERA/OPTICS

Detector	Uncooled microbolometer, vanadium oxide
Array Format	320 x 240
Pixel Size	38 microns
Spectral Response	7.5–13.5 $\mu$ m, LWIR
Video Output	1 Vp-p, 75 ohms
Normalization Source	Internal shutter (offset only), 0.7 seconds video freeze during shutter wink
Time to Image	Less than 2 seconds, no thermoelectric cooler
Image Control	2X digital zoom
Serial Command	RS-232/RS-422 compatible
Temporal NE $\Delta$ T	85 mK at f/1.4
Display Formats	White hot, black hot, and color signatures
Orientation	Invert/revert capability in software
Field of View	
TI2535	20° (H) x 15° (V)
TI2550	14° (H) x 10° (V)
Focus Range	
TI2535	3 ft (1 m) to infinity
TI2550	13 ft (4 m) to infinity
Hyper Focal Distance	
TI2535	85 ft (26 m)
TI2550	114 ft (35 m)

## RECOMMENDED MOUNTS

<b>Ceiling/Pedestal</b>	
EM1009U, EM1015U	Medium duty ceiling/pedestal mount
<b>Wall</b>	
EM1450	Light duty wall mount
<b>Pipe/Pole</b>	
EM1109	Medium duty pedestal mount for horizontal or vertical pipe/pole applications
EM2000	Medium duty mount for vertical applications
EM2200	Medium duty mount for horizontal applications

## RECOMMENDED POWER SUPPLIES

WCS1-4	Outdoor camera power supply, 100/120/240 VAC input; one 24/26/28 VAC output; total current capacity of 4 A (100 VA)
WCS4-20	Outdoor multiple camera power supply, 120/240 VAC input; four fused 24/28 VAC outputs; total current capacity of 20 A (480 VA)

### Pelco, Inc. Worldwide Headquarters:

3500 Pelco Way, Clovis, California 93612-5699 USA

**USA & Canada** Tel: (800) 289-9100 • FAX: (800) 289-9150

**International** Tel: +1 (559) 292-1981 • FAX: +1 (559) 348-1120

[www.pelco.com](http://www.pelco.com)

Pelco and the Pelco logo are registered trademarks of Pelco, Inc. Product specifications and availability subject to change without notice. ©Copyright 2009, Pelco, Inc. All rights reserved.